

# Introducing Miller & Kreisel IC95

## 2 way co-axial in-wall/in-ceiling loudspeaker



The new compact IC95 integrated loudspeaker system is based on the well proven proprietary 6,5-inch mid-woofer, also used in Miller & Kreisel studio monitor system MPS1620P and in-wall system IW95.

The mid-woofer in IC95 is a long time accepted key component in the Miller & Kreisel signature sound history, now appearing as the key component for the smallest and most compact format ever - to provide the real Miller & Kreisel sound.

IC95 present a new developed axial mounted 1" soft fabric dome tweeter, designed with swivel function to angle and optimize the on-axis response to the listening positions.

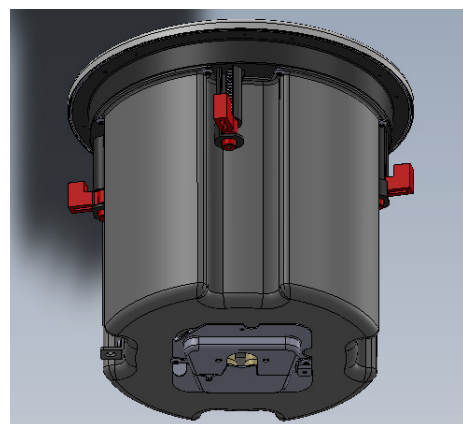
### Easy Installation

IC95 system feature a low profile "magnet-attached" metal grill for smooth and discrete installation finish. The compact and fully integrated IC95 system responds down 50Hz when mounted into walls or ceilings as an open back system, while when used with an available accessory "metal can house" - response will be controlled down to 70 Hz.

Both configurations reply for easy integration with Miller & Kreisel subwoofers, complimenting to deliver the "extended bass".

### Preliminary Specifications

Speaker OD . . . . .	9.64 inch / 245 mm
Grill OD . . . . .	9.74 inch / 248 mm
Speaker Cut out . . . . .	8.5 inch / 218 mm
Speaker Depth with Can . . . . .	8.3 inch / 212 mm
Speaker Depth without Can . . . . .	3.85 inch / 98 mm
Tweeter . . . . .	1" Coated Silk dome with swivel function
Woofer . . . . .	6.5" Mineral filled polypropylene
System Impedance . . . . .	4 Ohm
SPL (2.83V/1mtr) . . . . .	90 dB
Power Handling . . . . .	150 Watt
Frequency Response with Can . . . . .	70 Hz - 20 KHz
Frequency Response without Can . . . . .	50 Hz - 20 KHz



M&K Sound ApS · Denmark · [www.mksound.com](http://www.mksound.com)