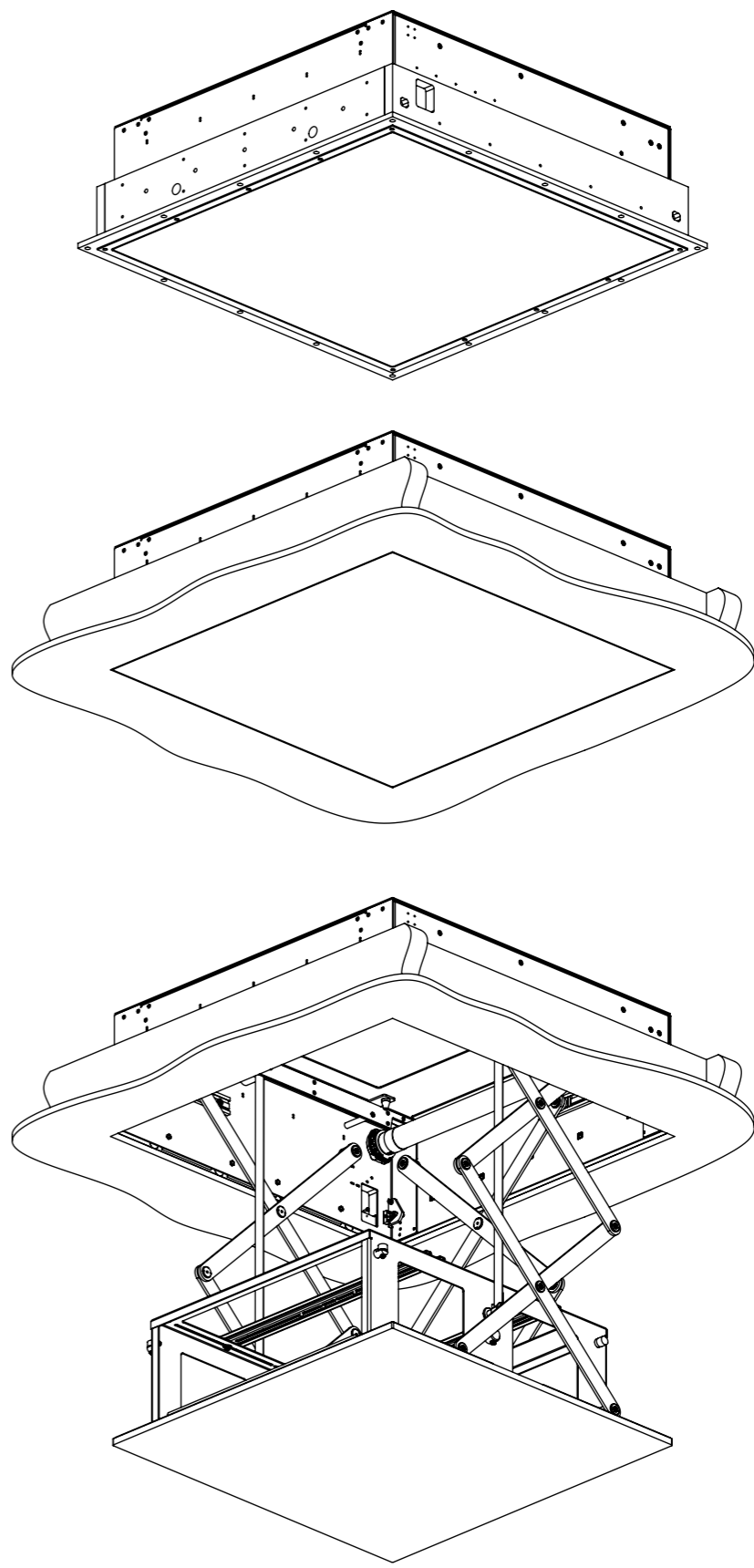
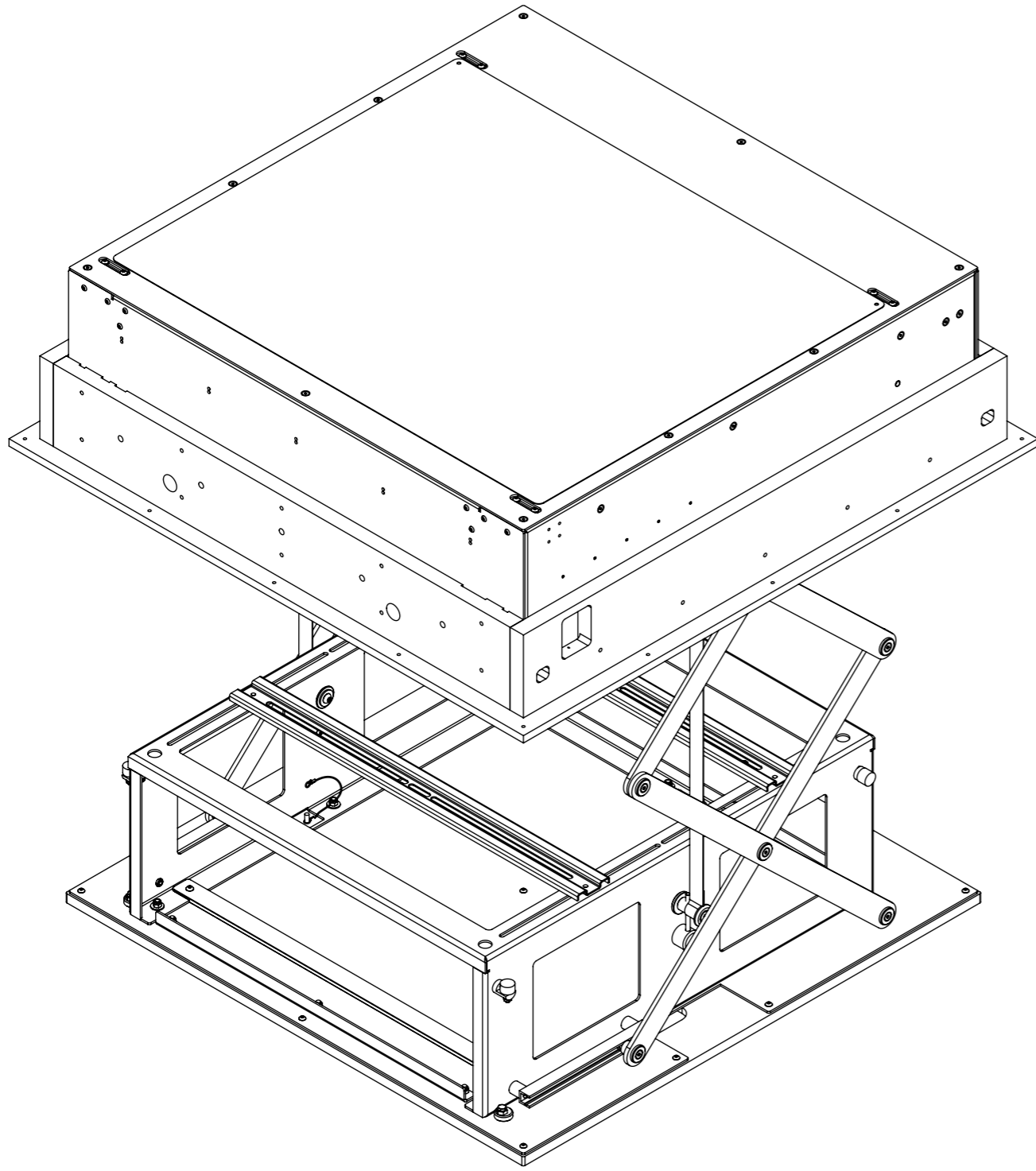


PDR3-RES

PROJECTOR DROP RANGE RESIDENTIAL



PDR3-RES

PROJECTOR DROP RANGE RESIDENTIAL



SPECIFICATION	MEASUREMENTS
Product Dimensions	968mm (38 1/8") W x 968mm (38 1/8") L x 295mm (11 5/8") H
Recommended Maximum Projector Dimensions	560mm (22 1/16") W x 650mm (25 9/16") L x 235mm (9 1/4") H
Maximum Projector Weight Capacity	45Kg (99lb)
Supplied MDF Infill Panel Weight	5Kg (11lb)
Maximum Speed	50mm/s
Maximum Travel From Finished Ceiling	740mm (29 1/8") - Standard 1200mm (47 1/4") - Available
Height from Finished Ceiling	295mm (11 5/8")
Product Weight	55Kg (121lb)
Packaging Dimensions	TBC
Shipping Weight	TBC
Movement Type	Motorised
Power Supply Required	110V - 240V AC
Power Consumption Max.	120W
Power Consumption Standby	3W
Control Options	IR Remote, RS232, Contact Closure
Product Options / Features	Specific mounts / adapters, Custom RAL paint finishes
Package Contents	Mechanism, MDF Pre-install Ceiling Cassette, IR remote control

PDR3-RES

PROJECTOR DROP RANGE RESIDENTIAL

DESIGN HIGHLIGHTS

Spring catches aid a quick and simple mechanism installation.

Available with two different drop options.

- Standard drop 740mm [29 1/8"]
- Long Drop 1200mm [47 1/4"]

Full cable management keeps all power and signal cables as neat and tidy as possible.

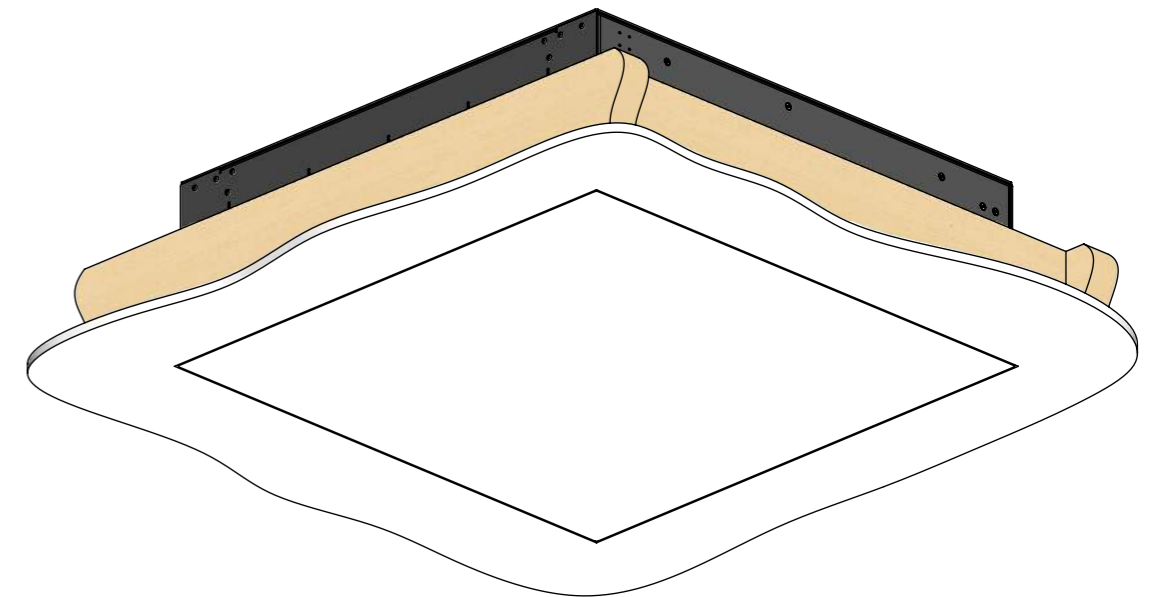
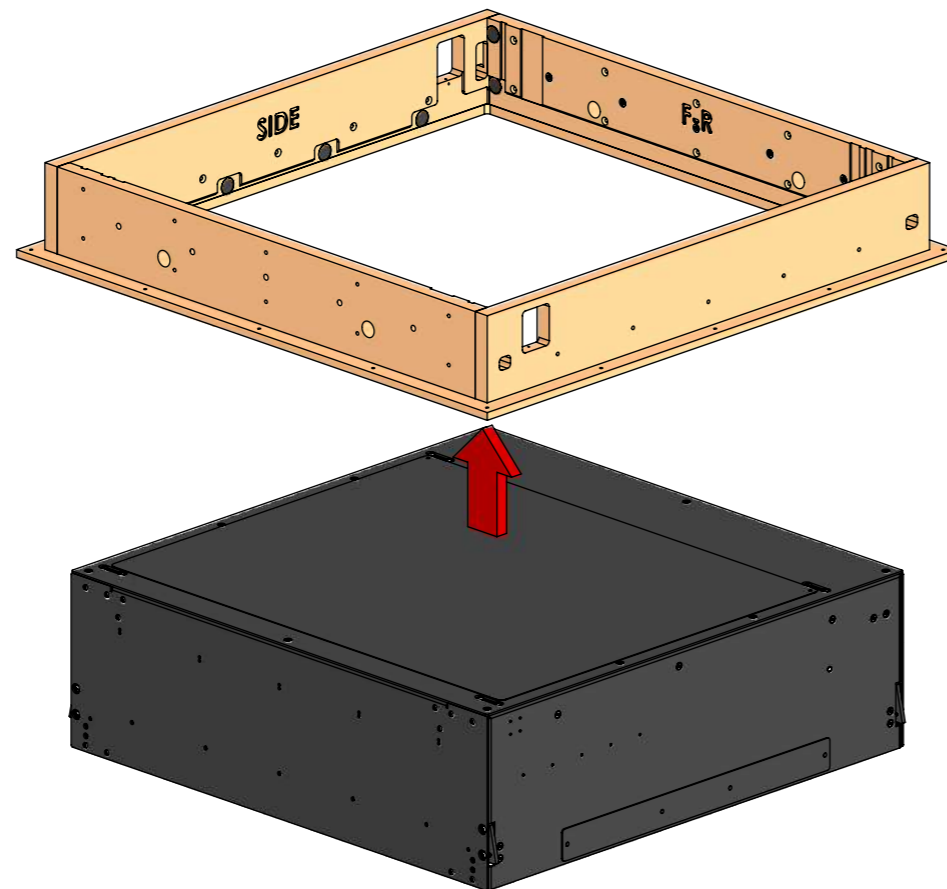
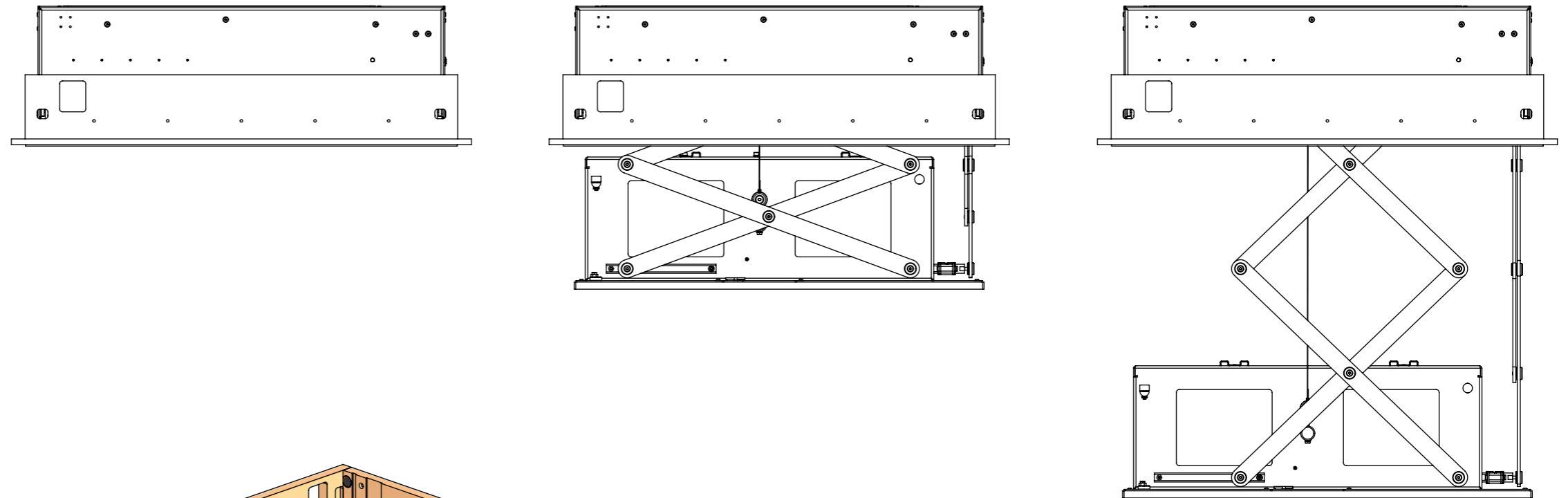
Top cover panel finishes internal void in matching white satin finish.

Slotted mounting system provides easily adjustable installation for almost any projector.

Standard control box can also control a third party product such as a projector screen.

For quick and simple install, mechanism easily clicks into supplied pre-install framework.

VIEWS BELOW SHOW ACTION FROM IN POSITION TO DOWN POSITION

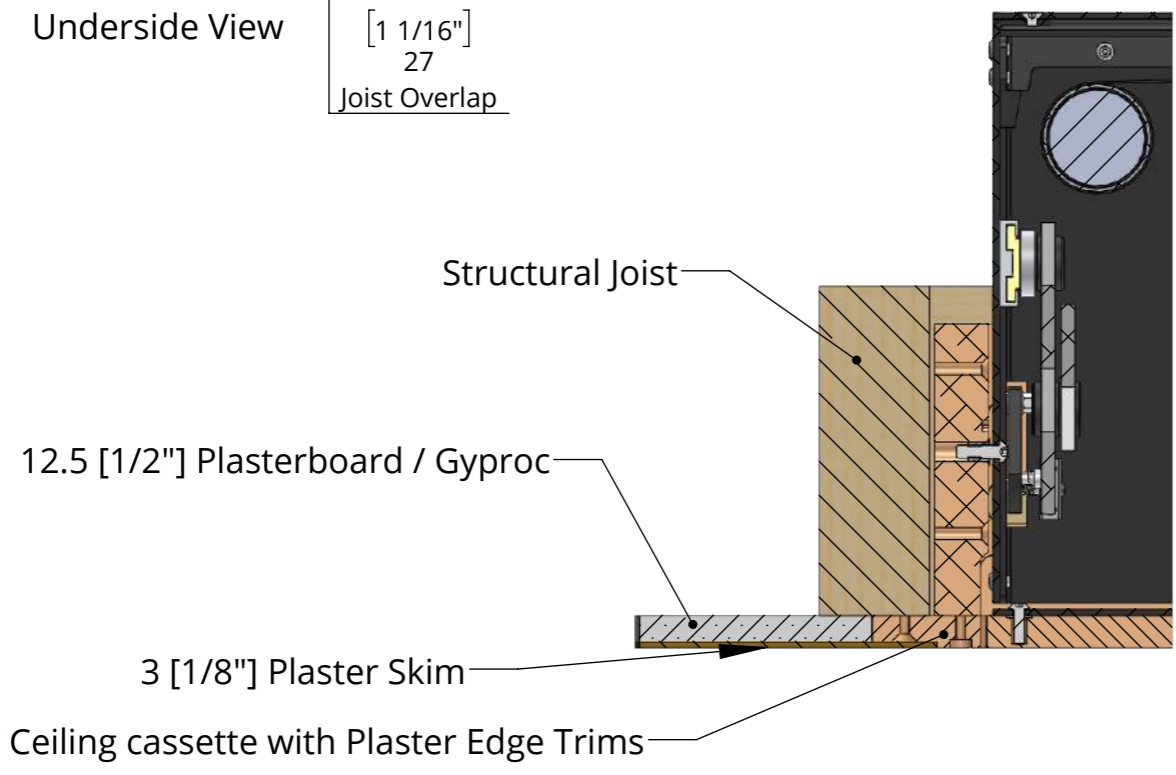
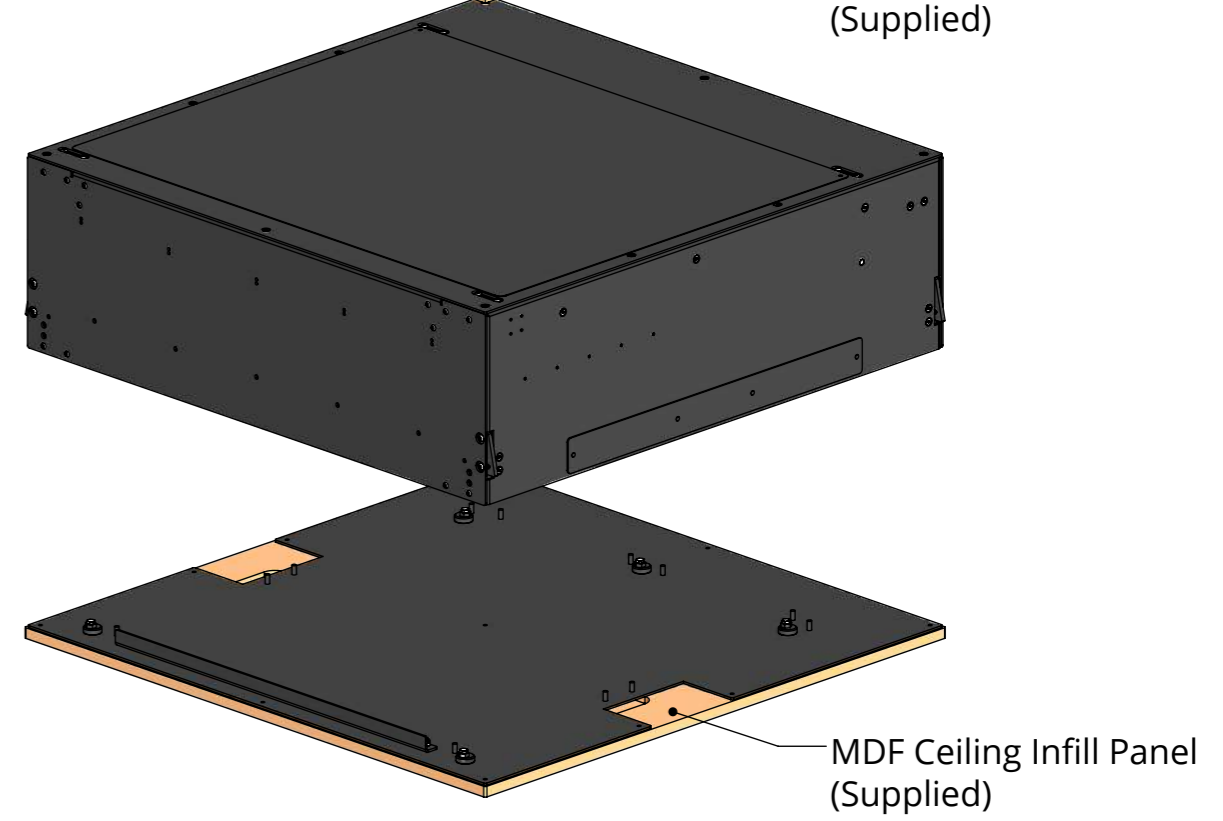
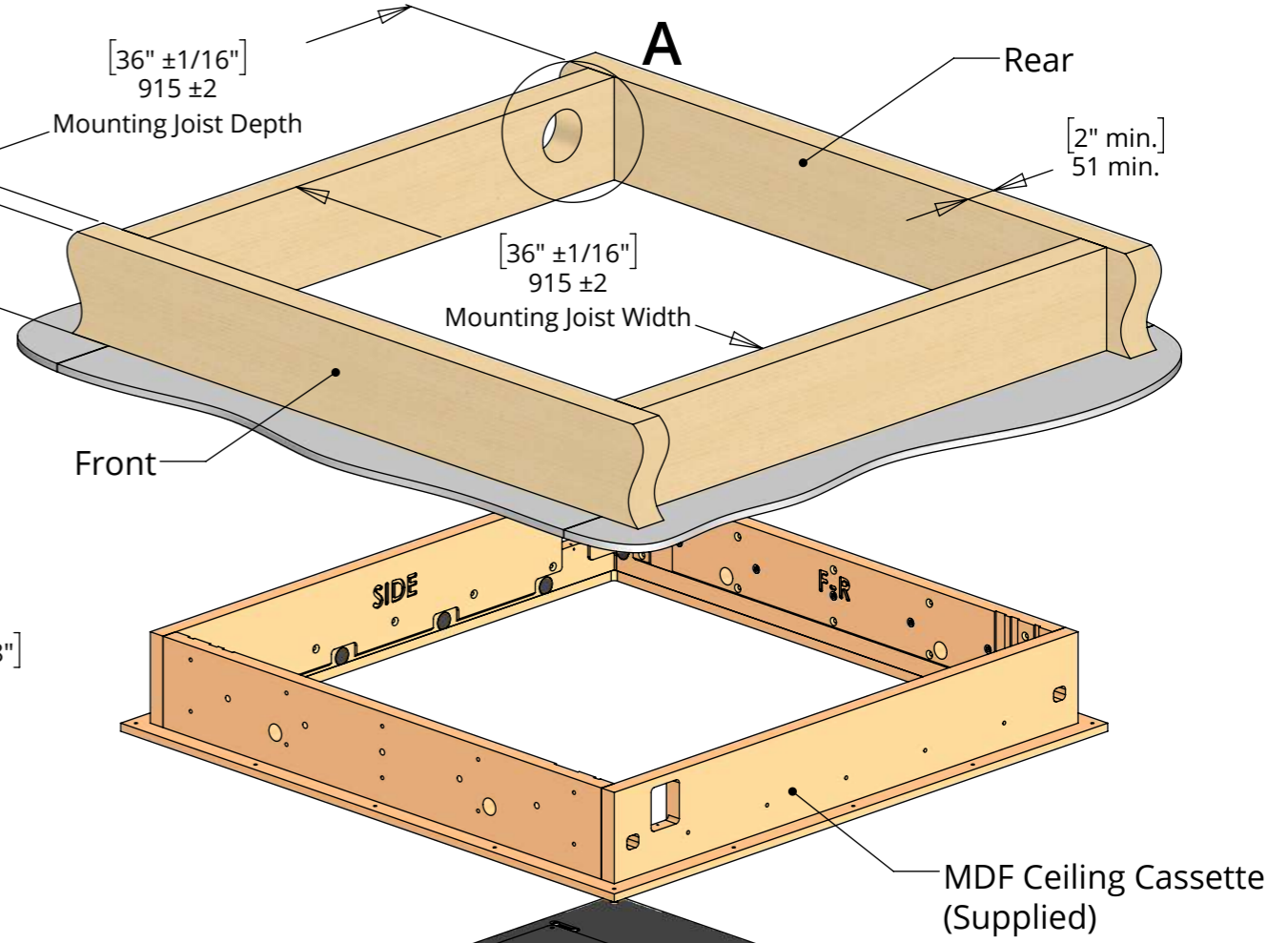
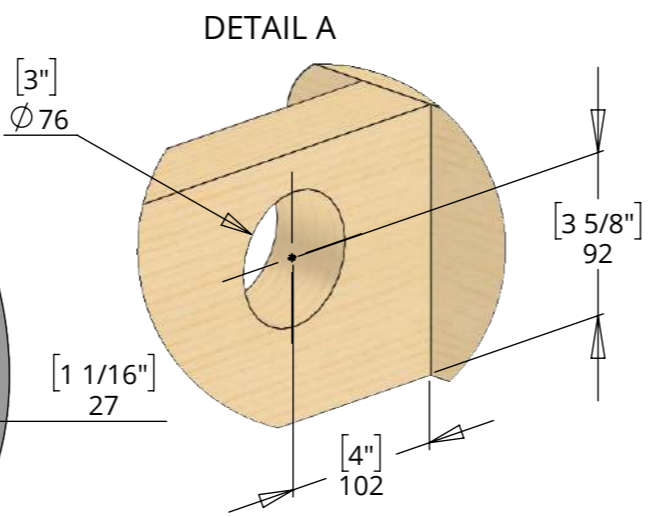
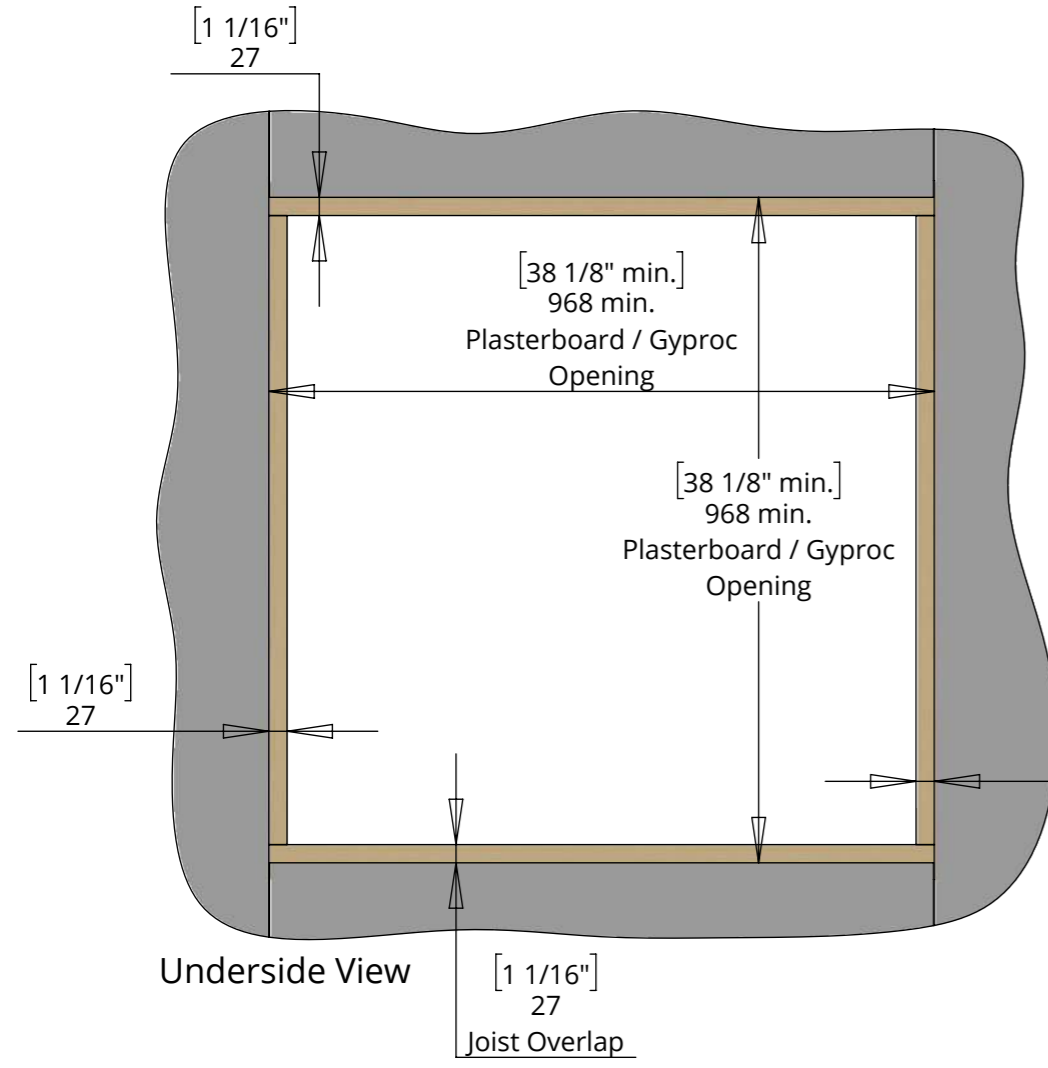


Flush in ceiling finish with one continuous 3mm [1/8"] shadow gap around panel.

PDR3-RES

PROJECTOR DROP RANGE RESIDENTIAL

FIXING TO WOODEN BEAMS

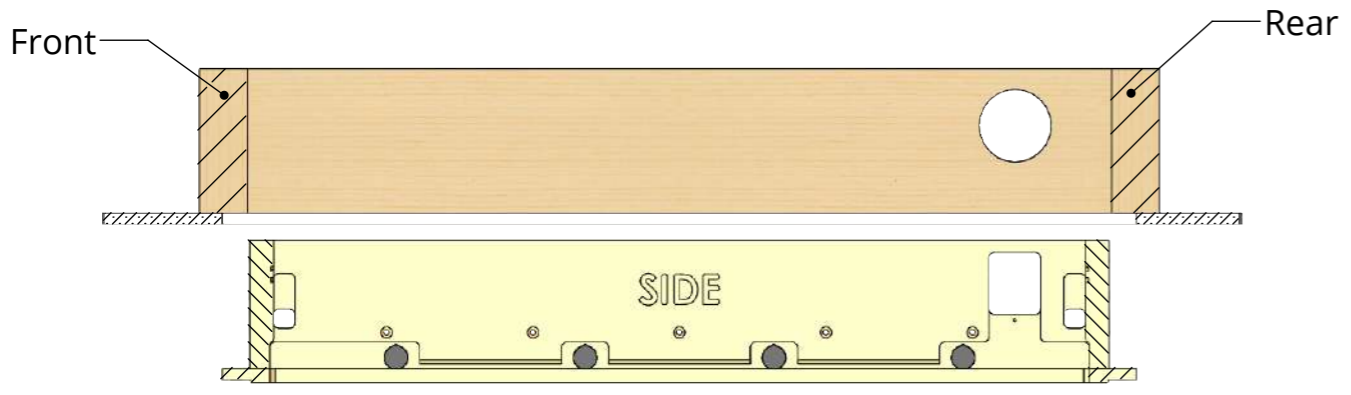


PDR3-RES

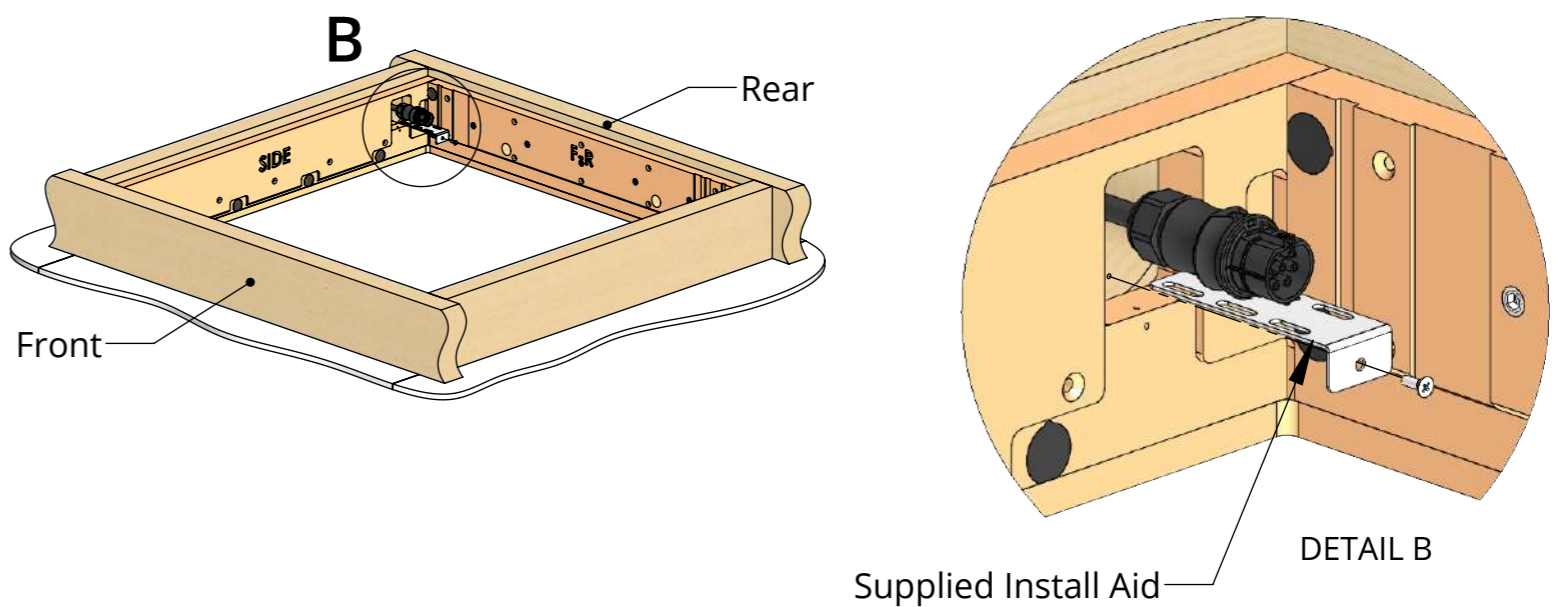
PROJECTOR DROP RANGE RESIDENTIAL

INSTALLATION PROCEDURE

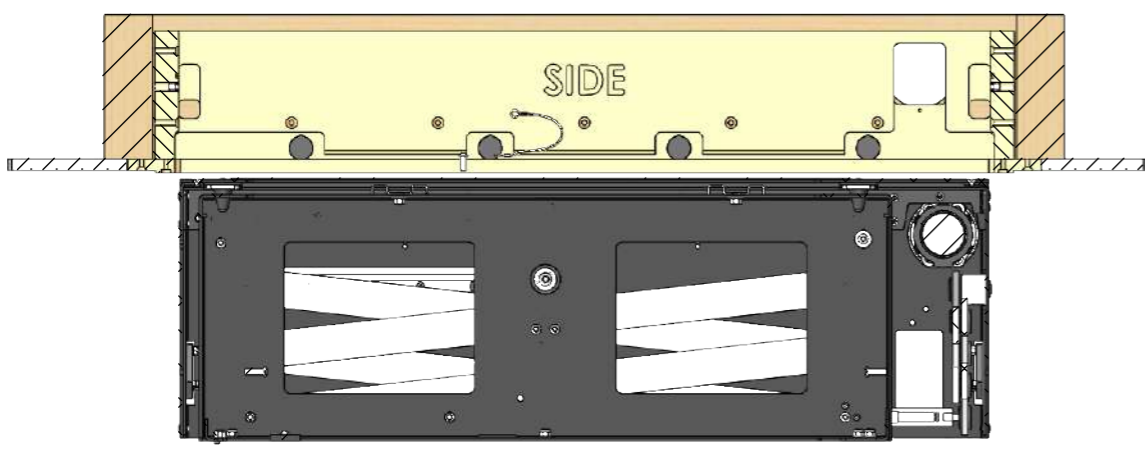
1. Install MDF Ceiling Cassette



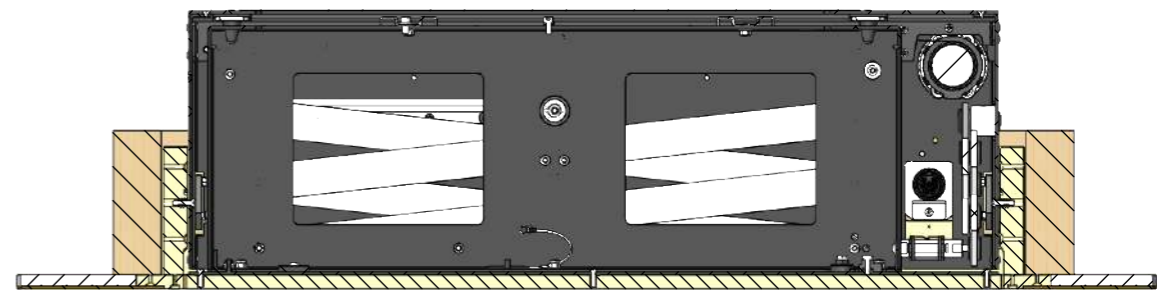
2. Prepare Cabling



3. Install Mechanism



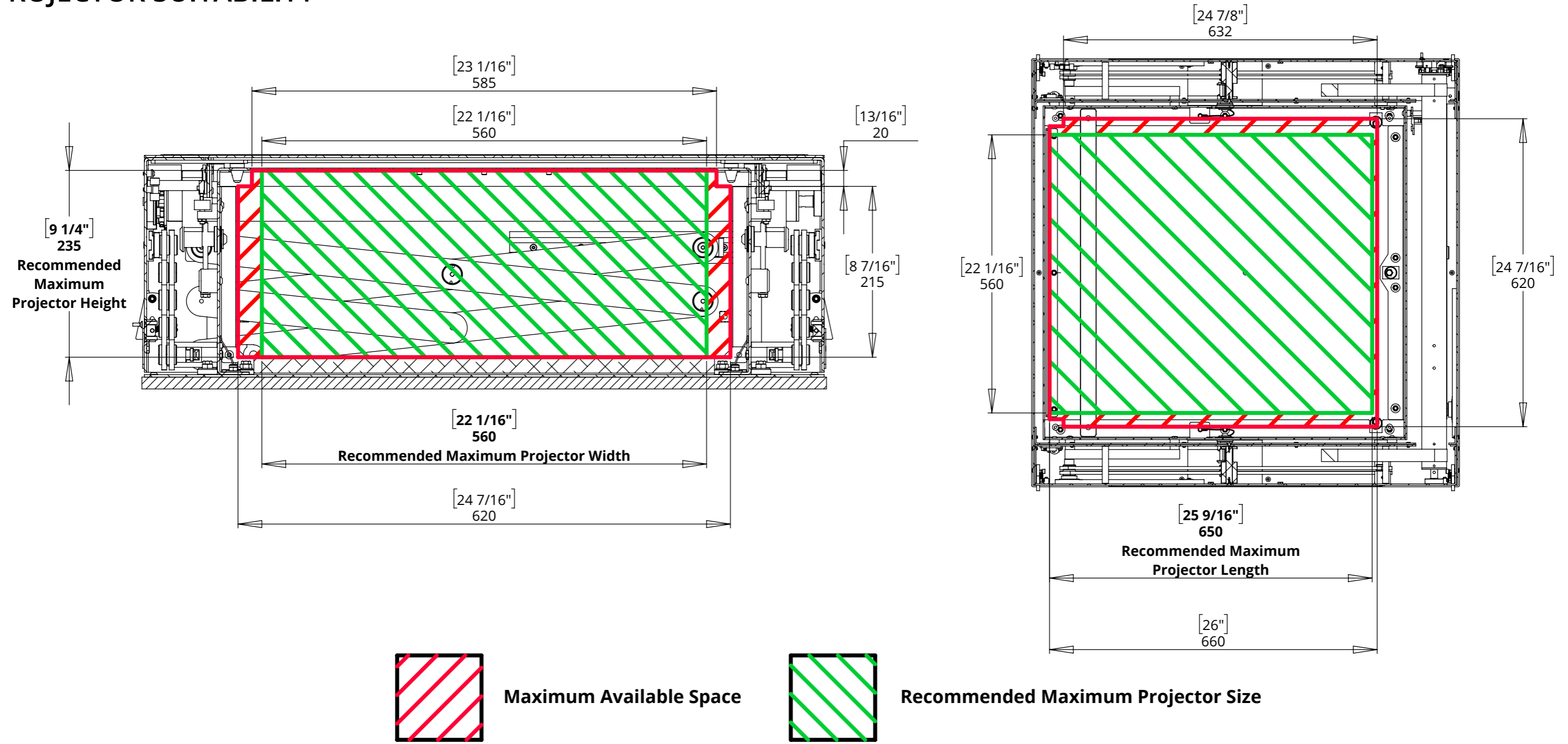
4. Plaster and Finish Ceiling



PDR3-RES

PROJECTOR DROP RANGE RESIDENTIAL

PROJECTOR SUITABILITY



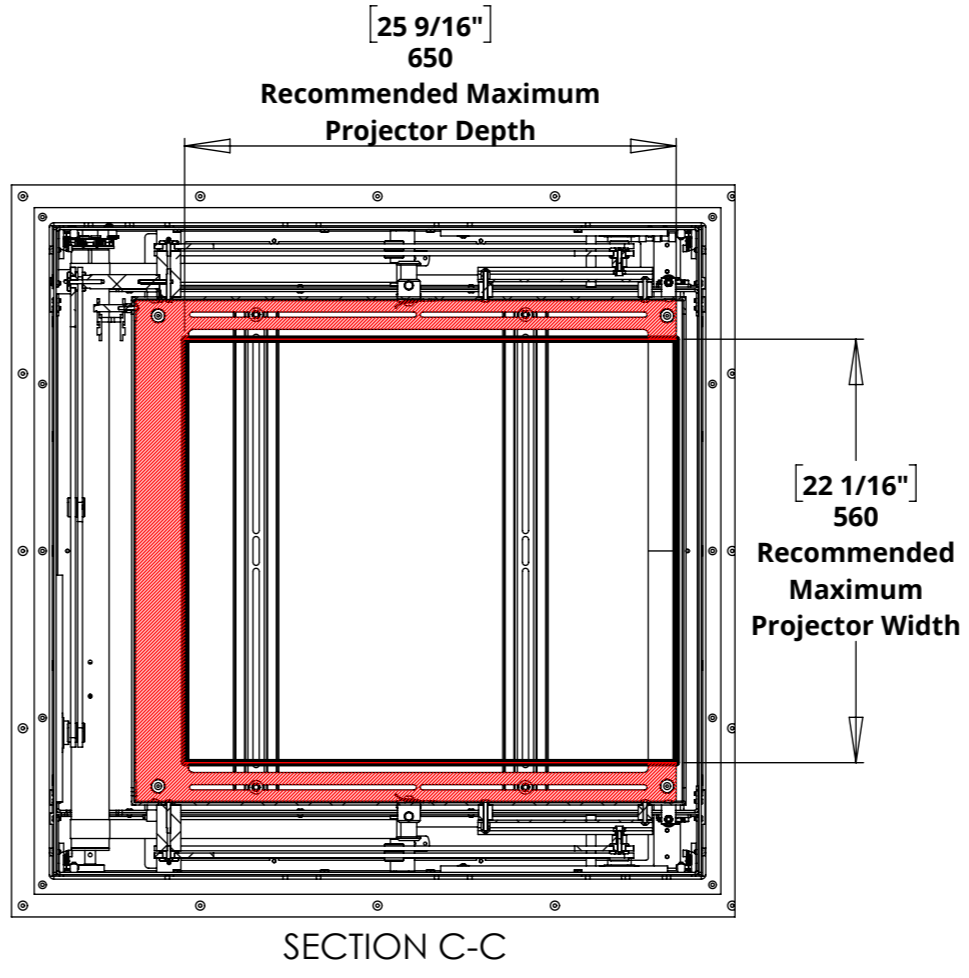
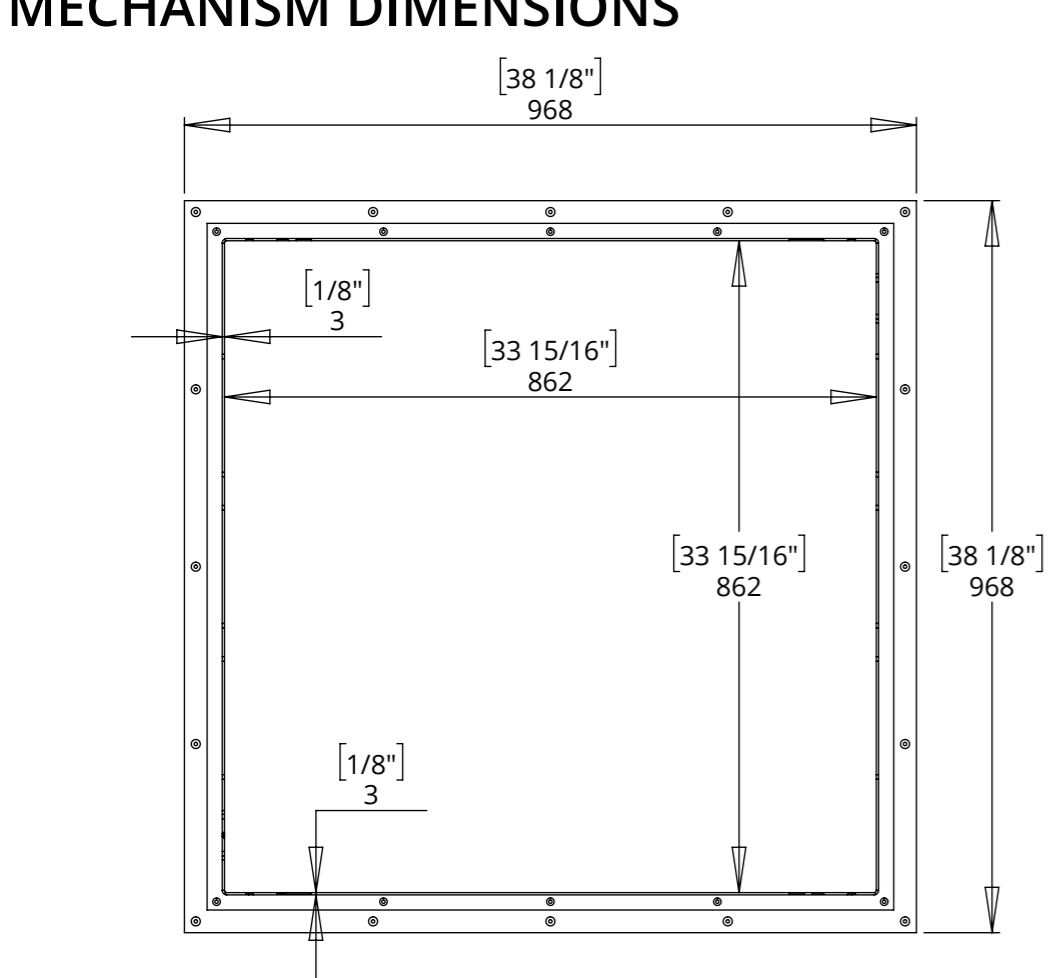
Recommended Maximum Projector Size accounts for only the Projectors External Dimensions.

Should you want to use the maximum available space, thought must be taken with regard to where AV connections are located on the projector.

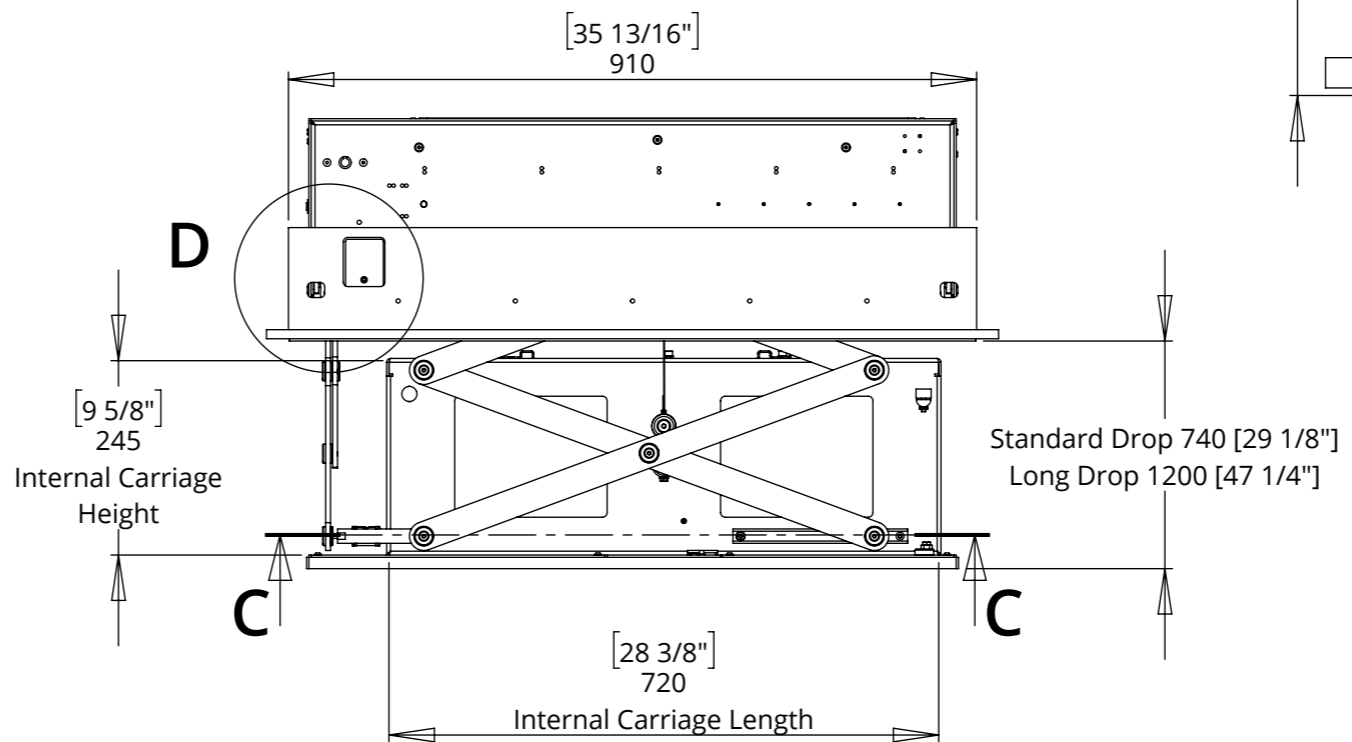
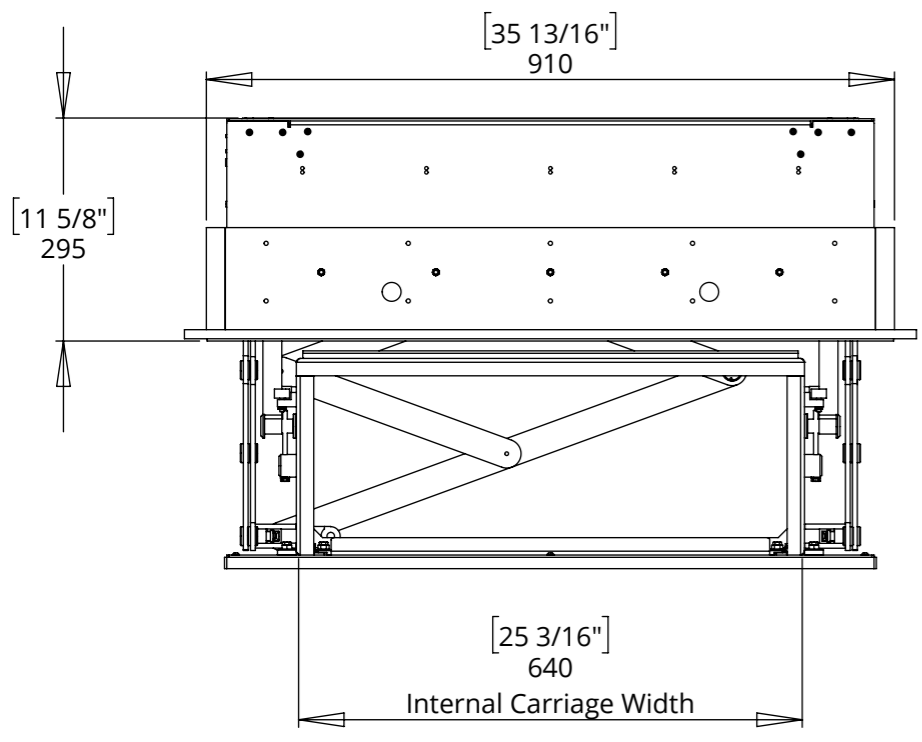
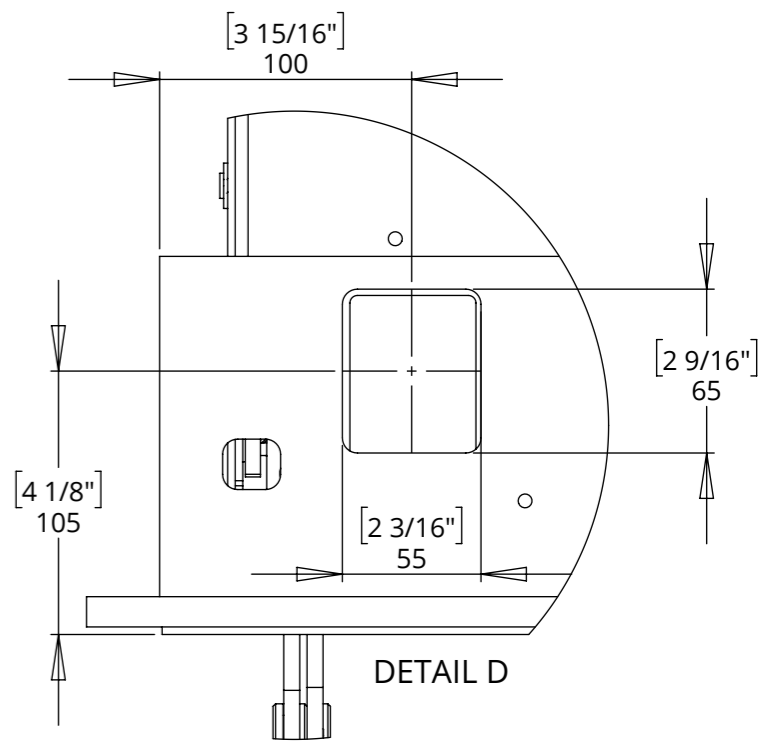
PDR3-RES

PROJECTOR DROP RANGE RESIDENTIAL

MECHANISM DIMENSIONS



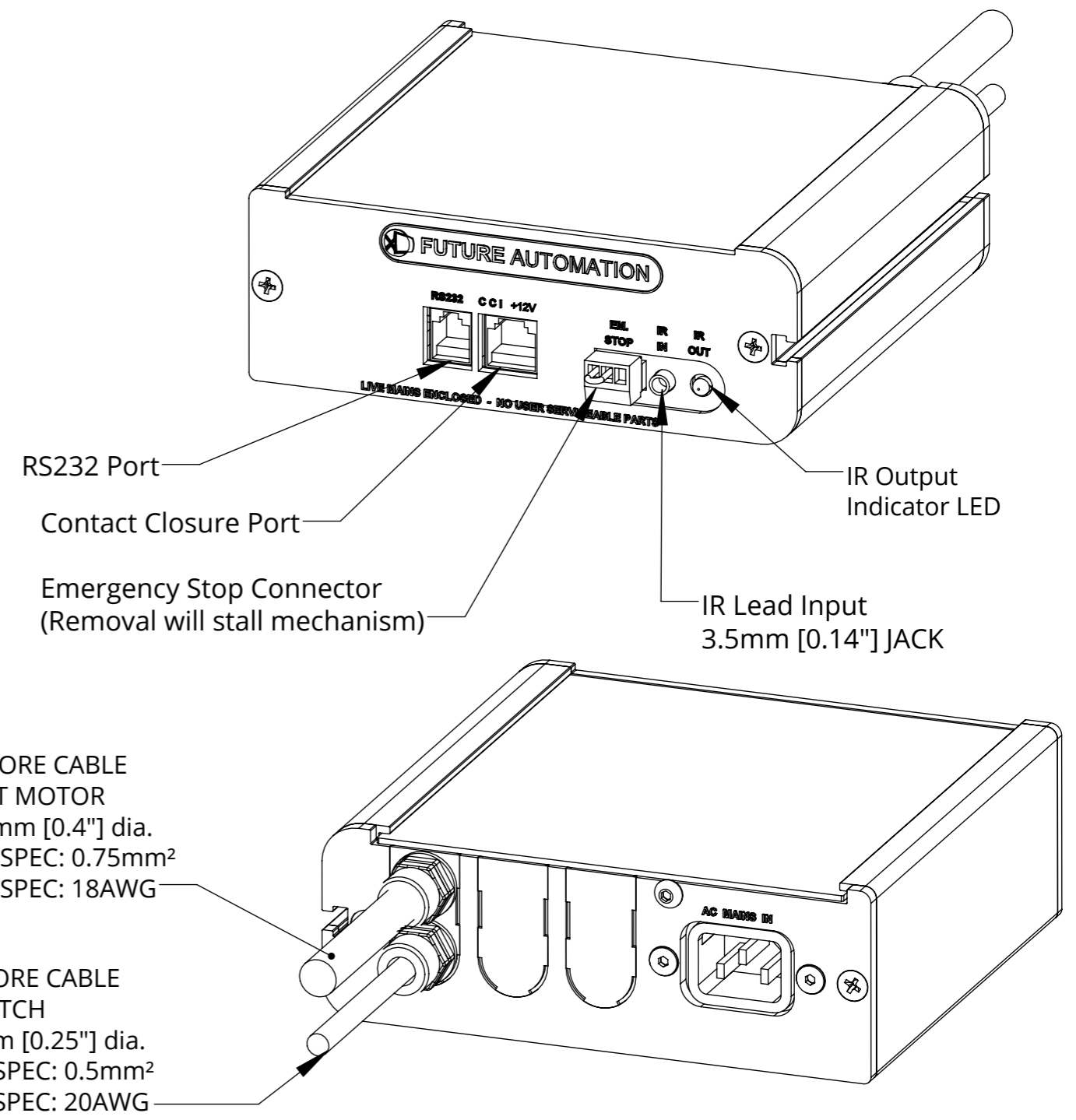
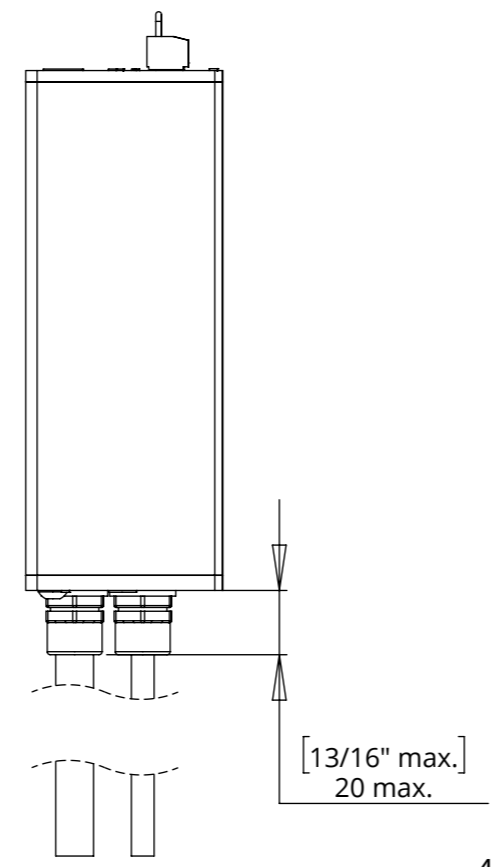
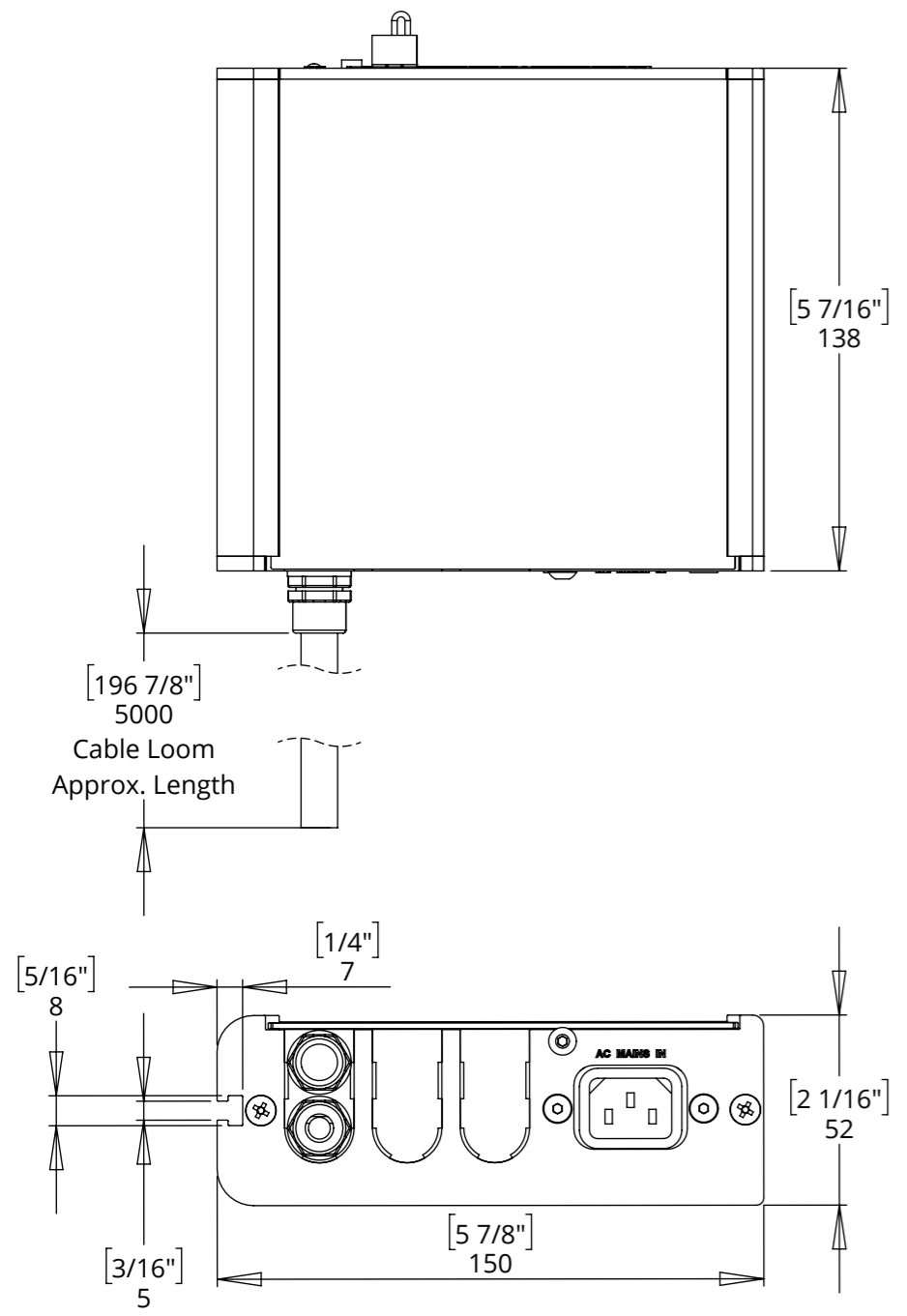
INSTALLER DISCRETION:
Red area highlighted to allow sufficient space for AV connections and ventilation.



PDR3-RES

PROJECTOR DROP RANGE RESIDENTIAL

CONTROL BOX DETAILS



NOTES

- POWER SUPPLY UNIT (PSU) WILL ALLOW 110V OR 240V AC INPUT. THE SAME PSU IS USED FOR EU OR US MAINS SUPPLIES.
- OTHER THAN CONTROL CABLES, ALL CABLES TERMINATE AT CONTROL BOARD VIA STANDARD PHOENIX CONNECTORS.
- CABLE LOOM LENGTH SUPPLIED AT APPROX. 5m [196 7/8"]. LOOM CAN BE EXTENDED UP TO MAXIMUM OF APPROX. 10m [400"].
- MINIMUM CABLE BEND RADIUS 25mm [1"].